

Silas® Widespread Lavatory Faucet

FEATURES

- WaterSense certified low-flow 1.2 gpm (4.5 lpm) faucet
- Lever handles
- Solid brass construction
- Ceramic disk valve cartridge
- Accommodates 6" -12" spread
- Metal pop-up drain assembly included



COLORS/FINISHES

- #CP Polished Chrome
- #BN Brushed Nickel
- #PN Polished Nickel

CODES/STANDARDS

- Complies with federal and state lead-free legislation
- Meets or exceeds ASME A112.18.1/CSA B125.1, NSF 61-9, NSF 372
- Certifications: IAPMO(cUPC), EPA WaterSense, California Energy Commission (CEC), State of Massachusetts and others
- Code Compliance: UPC, IPC, NSPC, NPC Canada, California Green Building Code, City of Los Angeles Water Efficiency Ordinance, City of New York and others
- ADA compliant



PRODUCT SPECIFICATION

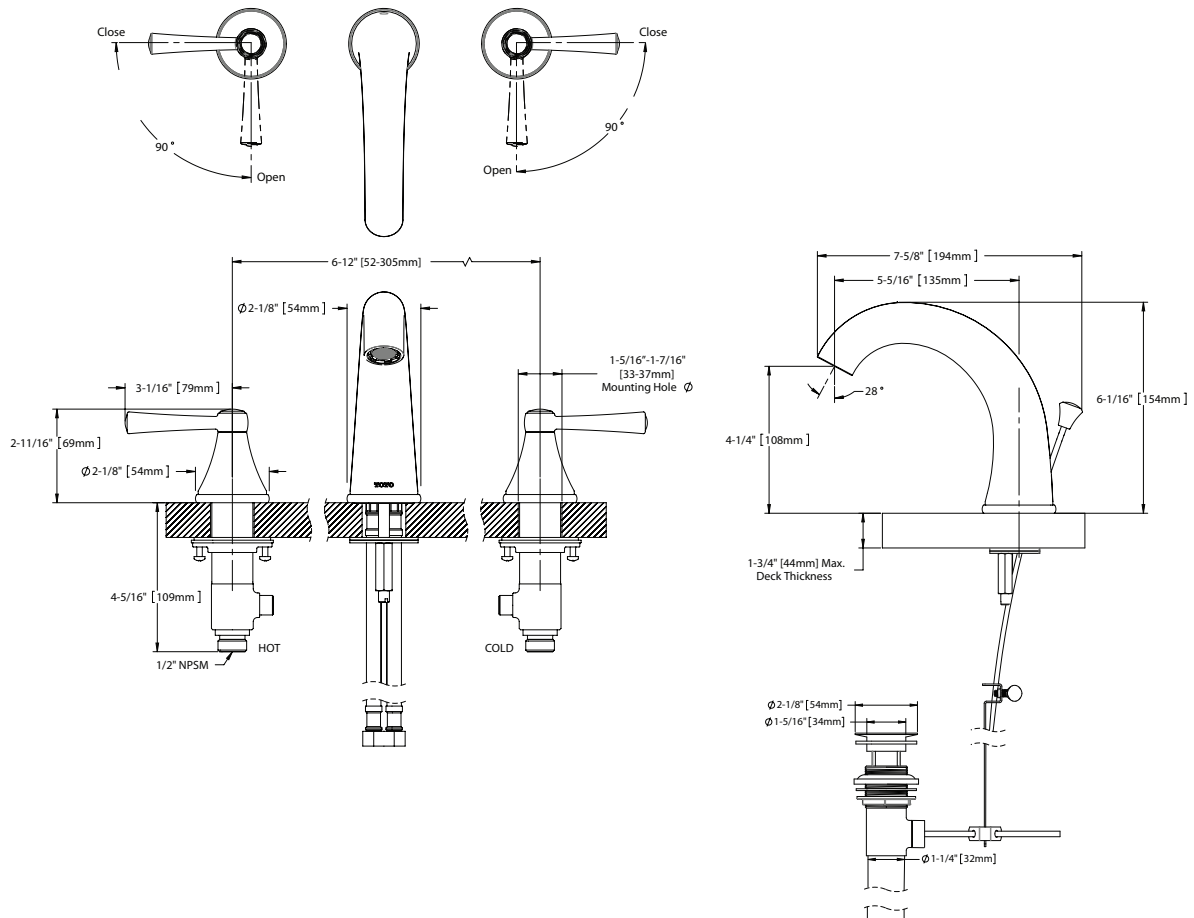
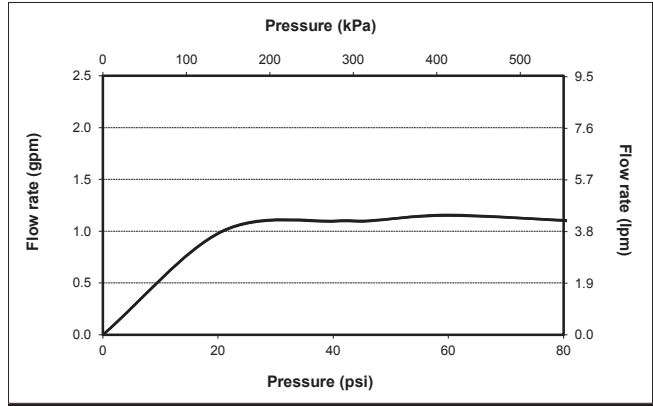
The widespread lavatory faucet shall have a maximum flow rate of 1.2 gpm (4.5 lpm). Product shall have lever handles. Product shall have a solid brass construction. Product shall have a ceramic disk valve cartridge. Product shall accommodate 6" -12" spread. Product shall include metal pop-up drain assembly. Product shall be TOTO Model TL210DD12#_____.

TL210DD12

Silas® Widespread Lavatory Faucet

SPECIFICATIONS

- Warranty: Lifetime Limited Warranty (Residential Use)
One Year (Commercial Use)
- Material: Brass
- Maximum Flow Rate: 1.2 gpm (4.5 lpm)
- Shipping Dimensions: 13-1/2" L x 7-1/2" W x 4-3/4" H
- Shipping Weight: 8.6 lbs.



TOTO®

These dimensions and specifications are subject to change without notice