

- LG49-TBOC Finish(C)
- LG49-TBOD Finish(D)
- LG49-TBOK Finish(K)
- LG49-TBOY Finish(Y)
- LG49-TBOBG Finish(BG)

- All Metal Construction
- 3-Hole Installation
- Pforever Seal

Specifications

Features

- 1.2 GPM Flow Rate
- All Metal Construction
- 1/4 Turn Brass Cartridges
- Includes Metal Pop-Up Drain
- Optional Crosshandles Available, Order HHL-049-TBX Separately
- Pforever Seal Ceramic Disc Valves
- Pforever Warranty®

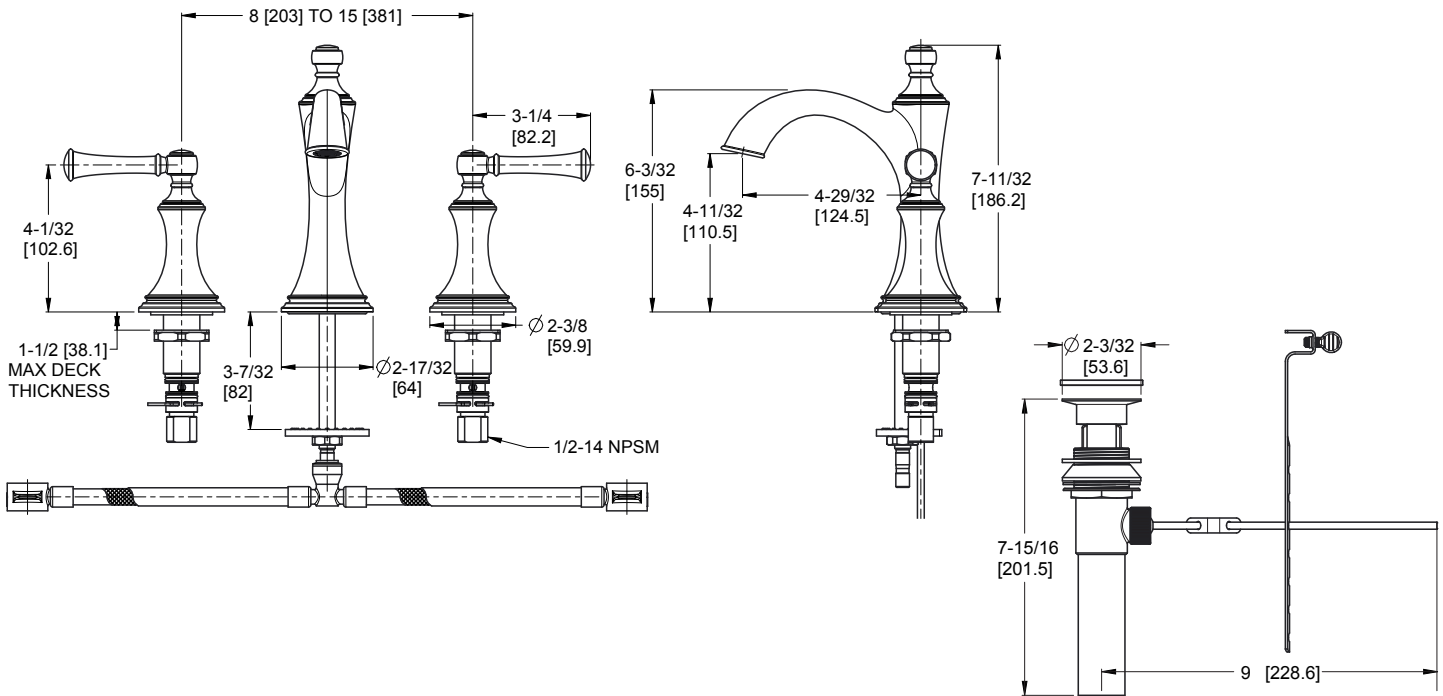
Code Compliance

Pfister products are designed and manufactured in compliance with the following standards and codes:

- IAPMO Certified
- CSA B125 Certified
- ASME A112.18.1
- NSF 61/9 Annex G (Low lead)
- Cal Green Compliant
- CEC Compliant
- EPA WaterSense Certification 1.2 gpm, 4.5L/Min
- ADA Compliant-ANSI A117.1 (Lever handles only)



Dimensions



Ø1-1/4 Min to Ø1-1/2 Max. Deck Hole Openings

Metal Pop-Up Drain