

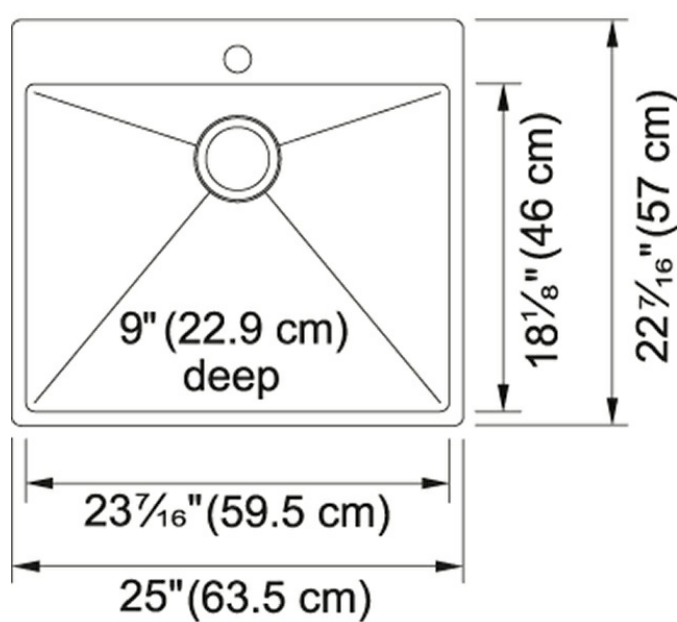
Vector HFS2522-1KIT Stainless Steel

Franke Vector stainless steel kitchen sinks bring Swiss precision design to your wonderful kitchen in an affordable package. The sleek slim-rim design gives the Vector series a quality, timeless look that is easy to clean. Vector series stainless steel kitchen sinks are available in many sizes and bowl configurations including single bowl and double bowl options. The large and deep bowls make large items more manageable and Franke's Fast-in unique quick install system is included to make life easier.

Product Picture



Technical Drawing



Product Dimensions

Length overall	25"
Width overall	22 7/16"
Length of large bowl	23 7/16"
Width of large bowl	18 1/8"
Depth of large bowl	9"
Minimum Cabinet Size	27"

General Information

Type of Material	Stainless Steel
Number of Bowls	1
Faucet Hole	1

Article Numbers

FUN#	127.0556.466
US Part Number	HFS2522-1KIT

