



Sink Specifications

Color	SKU
Satin Finished	441587

Design and Planning Tips

- Min cabinet size: 30 in
- Bowl depth: 9 in (229.0 mm)

What is included:

Installation instructions, Sink template, Limited lifetime warranty, Installed sound deadening pads., Drain NOT included., Sink clips are not included and may be ordered separately

Bowl Depth: 9"

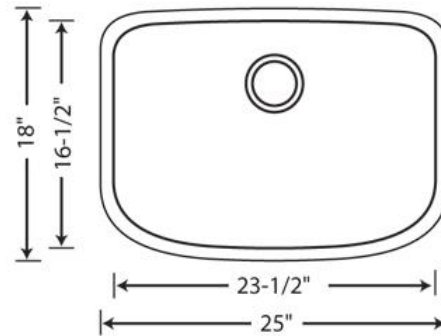
Required outside cabinet: 27"

Cutout Size: Template provided with approximate 1/8" reveal

Codes/Standards: ASME A112.19.3-2017/CSA B45.4-17

ONE Medium Single

Stainless steel Satin Finished



Warranty

BLANCO offers a limited lifetime warranty on all sinks and faucets, as well as a one-year warranty on all custom accessories.

Code/Standards Compliance

BLANCO sinks and faucets are third-party tested and certified to standards and listed by applicable certification bodies. For more information on individual product listings, contact our office or listing organization.



View our how-to videos to learn more about installing and caring for BLANCO products:

<https://www.blanco.com/us-en/service/how-to-videos/>

Questions? Contact us today



BLANCO America, Inc.
110 Mount Holly By-Pass
Lumberton, NJ 08048

Phone & Fax
Phone: 888-668-6201
Fax: 609-668-6211

While BLANCO endeavors to provide accurate information, all dimensions are nominal, cannot be guaranteed, and are subject to change or cancellation. BLANCO assumes no responsibility for use of superseded or voided specifications.